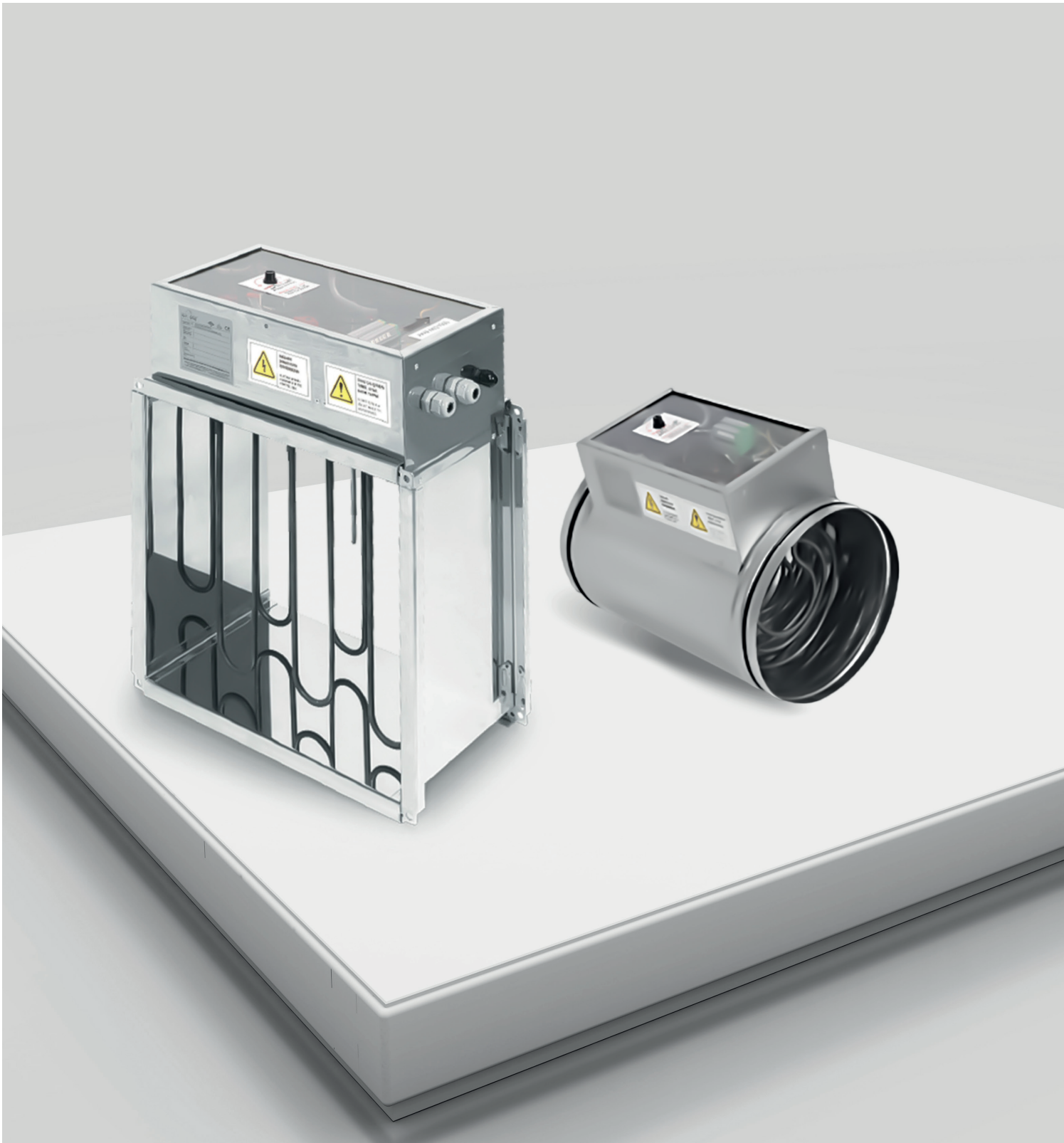


# ELECTRICAL HEATERS



## Electrical Heaters Models

MEH-C

---

MEH-R

---

MAH

---



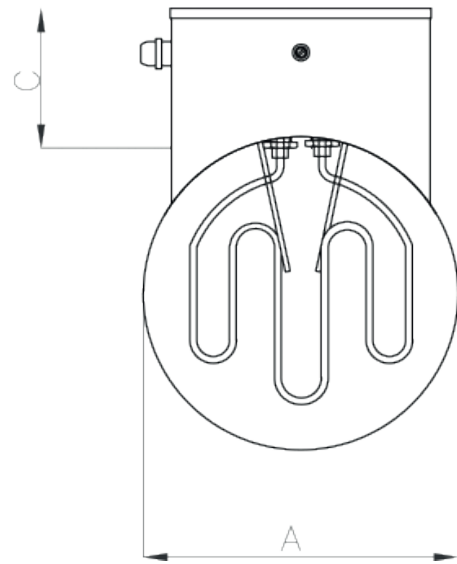
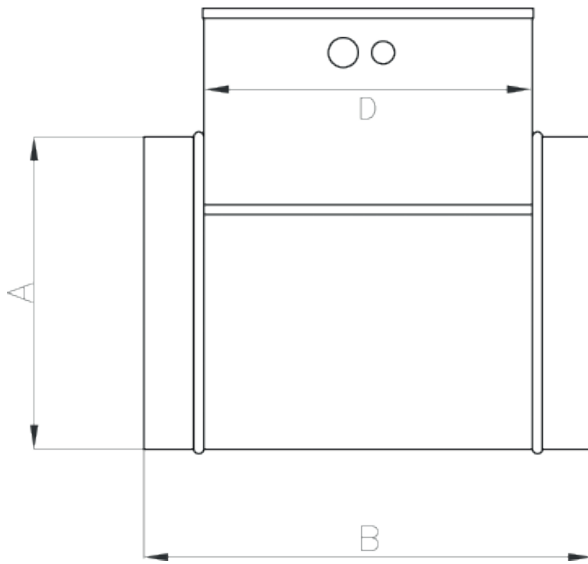
## MEH-C

### CIRCULAR ELECTRICAL HEATER

MEH-C serie Circular Electrical Heater used as pre-heater to increase outdoor air. It can be produced in special size. Heating element parts galvanized or stainless steel upon request. Easy installation to duct system. Control device optional.

## Technical Information

<b>Power</b>	Min. 0,5 kW - Max. 20 kW
<b>Dimensions</b>	
<b>A</b>	Min. 125 mm. / Max. 490 mm.
<b>B</b>	Standard 380 mm. / Max. 490 mm.
<b>D</b>	260 mm. / Max. 370 mm.
<b>B</b>	Standard 200 mm.
<b>C</b>	Standard 130 mm.





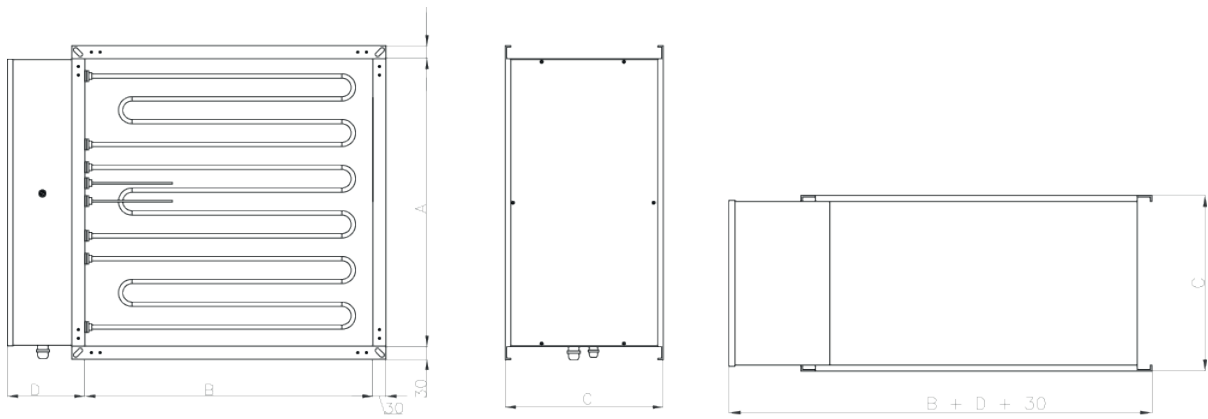
## MEH-R

### RECTANGULAR ELECTRICAL HEATER

MEH-R serie Rectangular Electrical Heater used as pre-heater to increase outdoor air. It can be produced in special size. Heating element parts galvanized or stainless steel upon request. Easy installation to duct system. Control device optional.

## Technical Information

<b>Power</b>	Min. 0,5 kW - Max. 200 kW	
<b>Dimensions</b>		
<b>A</b>	Min. 200 mm. / Max. 2500 mm.	
<b>B</b>	Min. 200 mm. / Max. 2000 mm.	
<b>C</b>	Min. 150 mm / Max. 1000 mm	
<b>D</b>	Standard 120 mm / if there is control equipment 150 mm	





# MAH

## ELECTRICAL HEATER

MAH Serie Air Handling Unit is designed for heating air in place while circulating it with axial fans. Double walled structures prevent exhaust gases and can be used indoor applications.

## Technical Information

Model Type	V	Level	(kW)	(A)	m <sup>3</sup> /h	Save	Color	Width	Height	Depth
MAH 190	220V	3 kW	0/1,5/3	0/7,5/15	400m <sup>3</sup> /h	IP44	RAL 7035	290 mm	380 mm	260 mm
MAH 225	380V-440V	5 kW	0/2,5/5	0/4/7,5	650m <sup>3</sup> /h	IP44	RAL 7035	350 mm	450 mm	450 mm
MAH 250	380V-440V	8 kW	0/4/8	0/7/13	900m <sup>3</sup> /h	IP44	RAL 7035	350 mm	450 mm	450 mm
MAH 280	380V-440V	10 kW	0/5/10	0/8/17	1100m <sup>3</sup> /h	IP44	RAL 7035	350 mm	450 mm	450 mm
MAH 355	380V-440V	12 kW	0/6/12	0/10/20	1600m <sup>3</sup> /h	IP44	RAL 7035	400 mm	530 mm	450 mm
MAH 400	380V-440V	15 kW	0/7,5/15	0/13/25	1800m <sup>3</sup> /h	IP44	RAL 7035	400 mm	530 mm	450 mm
MAH 450	4900	690	1365	50	230	83	1365	50	230	83